

## MULTI VOLTAGE LED WORKLAMPS

### MAGNETIC RECHARGEABLE LED WORKLAMP



CURTIS



#### DESCRIPTION

Heavy duty, rechargeable battery powered worklamp combines mobility and high performance in a compact design. High intensity LED flood beam means low operating costs and high efficiency.

#### APPLICATION

This worklamp can be used in any application and is ideal for use by service engineers in any industry.

#### FEATURES

- 9 x 1W LEDs (white and amber) provide wide flood beam.
- Small footprint.
- Carry handle, magnetic base and rechargeable battery.
- Four operating modes: 100% intensity white, 50% intensity white, SOS flash amber, and white.
- Supplied with cigarette lighter charger and AC charging cable.

#### SPECIFICATIONS

- 12–24 VDC.
- Battery life: 4 hours discharge/ 4 hours recharge.
- 9 LEDs.

#### UK PART NUMBER

18438450 – Magnetic Worklamp

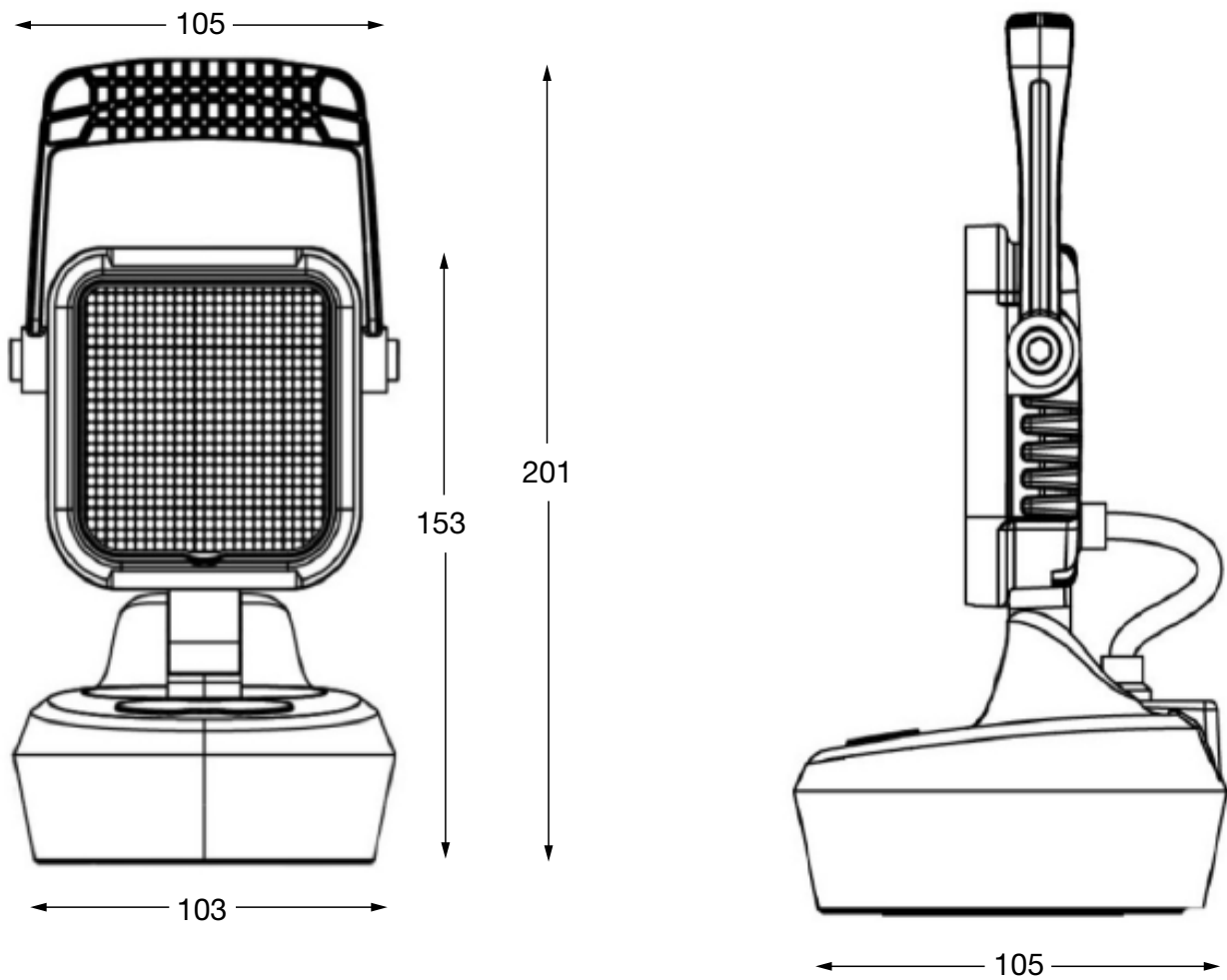
**CURTIS INSTRUMENTS, (UK) LTD.**  
5 UPPER PRIORY STREET  
NORTHAMPTON NN1 2PT, ENGLAND  
TEL 44 (0) 1604-629755  
FAX 44 (0) 1604-629876

# MULTI VOLTAGE LED WORKLAMP

## MODEL CHART

| PART NUMBER | MODEL                        | LUMINOUS FLUX LM | POWER W | VOLTAGE RANGE | CURRENT (AMPS) |     |
|-------------|------------------------------|------------------|---------|---------------|----------------|-----|
|             |                              |                  |         |               | 12V            | 24V |
| 18438450    | Magnetic Rechargeable W/Lamp | 850              | 9       | 12-24 VDC     | 1              | 0.5 |

## DIMENSIONS mm



**WARRANTY** Two year limited warranty from time of delivery, excluding battery.

The Curtis Difference   
 You feel it when you drive it