

MULTI-VOLTAGE AUDIBLE ALARM



APPLICATION

The Curtis Multi-Voltage Audible Alarms are designed to protect people working in close proximity to material handling equipment and other types of mobile plant and vehicles.

DESCRIPTION

Curtis, a world leader in the supply of battery state of charger indicators, offers a range of Multi-Voltage Audible Alarms, suitable for use on fork trucks, tow tractors, electric vehicles, construction equipment and road vehicles.

BENEFITS

- Easy to fit, 2 wire connection.
- Multi-Voltage, no need to tap batteries or fit DC/DC converters.
- Protected against wrong polarity.
- Optional auto-adjust sound level.
- Steam cleanable.
- High sound level.
- Low cost.
- Ex-stock availability.
- Compact and light.
- Environmentally protected.
- Can be wired to sound when the vehicle is in reverse or used to warn of any movement.

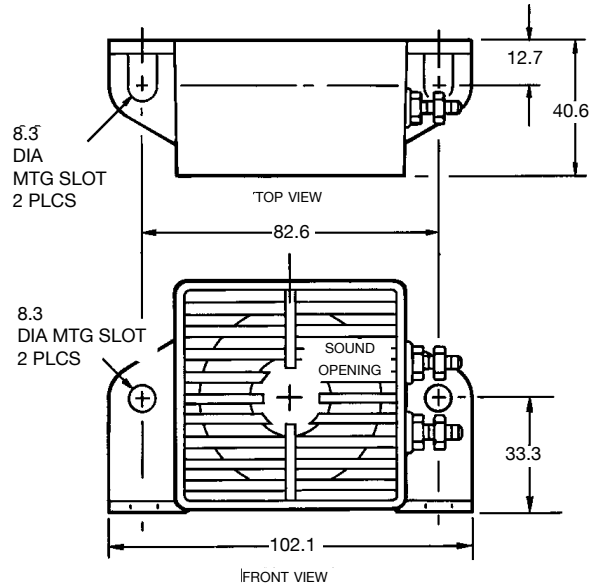
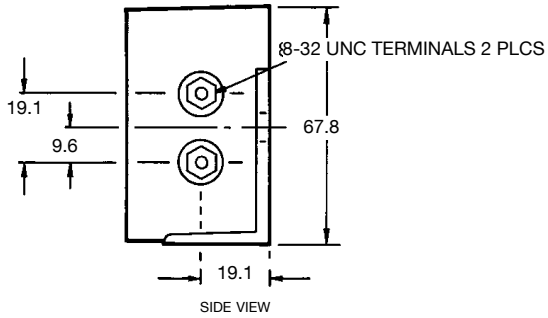
OPTIONS

- 97 dB Audible alarm to cover all voltages from 12 to 48 VDC.
- 87 dB Audible alarm to cover all voltages from 12 to 72 VDC.
- Auto adjustable Audible alarm with 82 dB to 107 dB, sound levels dependant upon ambient noise level. Covers all voltages from 12 to 48 VDC.

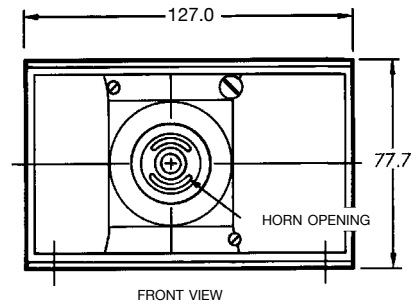
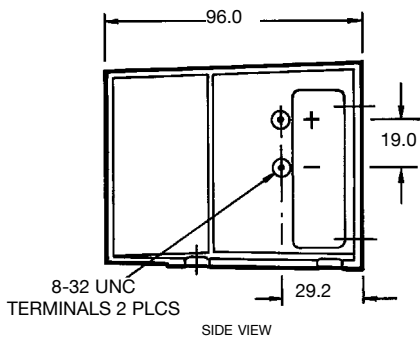
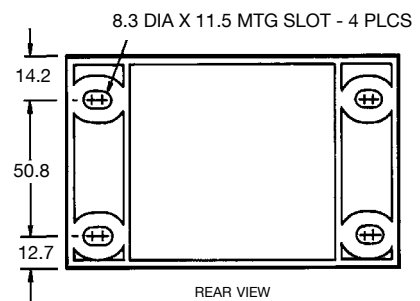
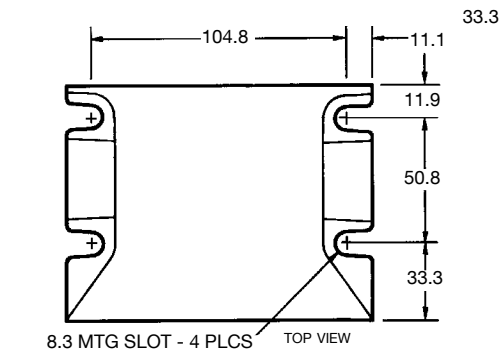
MULTI-VOLTAGE AUDIBLE ALARM

DIMENSIONS

12-48 VDC & 12-72VDC Audible Alarm



12-48 VDC Auto Adjust Audible Alarm



MULTI-VOLTAGE AUDIBLE ALARM

SPECIFICATIONS

	12-48 VDC Audible Alarm AA 483-095	12-72 VDC Audible Alarm AA 483-096	12-48 VDC Auto Adjust Audible Alarm AA 483-097
UK Ref No:	17208001	17208002	17208004
Dimensions (including fixing brackets):	L=102.1mm x W=40.6mm x H=67.8mm	L=102.1mm x W=40.6mm x H=67.8mm	L=127mm x W= 96mm x H = 77.7mm
Weight:	255 gms	255 gms	650 gms
Sound Level (+/-4dB(A) -):	97dB	87dB	82dB - 107dB
Sound Cycle:	80 pulses per minute	80 pulses per minute	80 pulses per minute
Frequency:	1350Hz (typical)	1350Hz (typical)	1100Hz (typical)
Voltage Range:	12-48 VDC	12-72 VDC	12-48 VDC
Spike Protection:	+100/-400 volts	+250/-400 volts	+100/-400 volts
Maximum Current:	0.2 amps	0.2 amps	0.25 amps
Polarity Protected :	Yes	Yes	Yes
Temperature Range:	-40°C - +77°C	-40°C - +77°C	-40°C - +77°C
Steam Cleanable:	Yes	Yes	Yes
Housing Material:	30% Glass reinforced nylon	30% Glass reinforced nylon	30% Glass reinforced nylon
SAE J994 Type:	C	D	A-D

WARRANTY Five year limited warranty from time of delivery.

