

AUDIBLE ALARM

MULTI-VOLTAGE AUDIBLE ALARM



FEATURES

- Easy to fit, 2 wire connection.
- Reverse polarity protected.
- Operates in a wide temperature range, from -30°C to $+60^{\circ}\text{C}$.
- Low cost.
- Ex-stock availability.
- Environmentally protected for indoor and outdoor use.

UK PART NUMBER

Part number 18438448

DESCRIPTION

Curtis, a world leader in the supply of electric vehicle drive systems, also offers a full range of audible and visual safety equipment suitable for use on forklifts, pallet trucks, electric vehicles, construction equipment and on-road vehicles.

APPLICATION

The Curtis Multi-Voltage Audible Alarms are designed to protect people working in close proximity to material handling equipment and other types of mobile plant and vehicles.

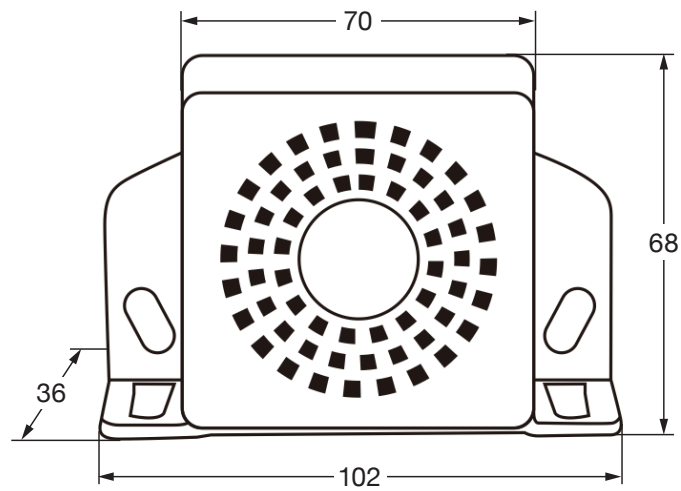
CURTIS INSTRUMENTS, (UK) LTD.
5 UPPER PRIORY STREET
NORTHAMPTON NN1 2PT, ENGLAND
TEL 44 (0) 1604-629755
FAX 44 (0) 1604-629876

MULTI-VOLTAGE AUDIBLE ALARM

SPECIFICATIONS

- Voltage: 12–80VDC.
- IP Rating: IP67.
- Sound Output: 97dB.
- Sound: Tonal.
- Fixing: 2 bolt.
- Connection: Stud.

DIMENSIONS mm



WARRANTY Two year limited warranty from time of delivery.

