



FEATURES

Powerful and Flexible Vehicle Control System

- High I/O count, FLASH memory, CAN bus and a easy to use programming language (VCL) are merged to create the ideal electric vehicle system controller.

CAN Technology and powerful software allows customized vehicle performance

- The powerful, user-friendly programming language, VCL (Vehicle Control Language), developed by Curtis, allows custom software to be quickly and easily developed by an OEM for unique applications.
- FLASH memory allows easy field upgrades and customization on the assembly line.
- CAN open compatible communication protocol provides control and feedback to Curtis CAN-based Motor Controllers, as well as many other CAN-based control products.
- Extended Software functions of VCL simplify the integration of OEM requirements (BDI, Hour Meters, PID, RAMP, Throttle, CAN etc.).

Comprehensive Input and Output Selection

- Two analog outputs (0 to 10 volts at up to 20 mA).
- Serial Port for communication with the Curtis Programmer or optional Curtis Model 840 "Spyglass" display.
- Two quadrature encoder inputs.
- Up to 22 Digital Switch Inputs and up to 16 Output Channels (up to 3 amps sink per channel) are available to a maximum input/output combination of 22 channels.
- Two proportional valve control outputs are available (16 output model only).
- Four software-configurable analog input channels available for any combination of 2- and 3-wire pot inputs or 0 to 5 volt inputs.

DESCRIPTION

Curtis Model 1310 Vehicle System Controller works in conjunction with Curtis CAN-based motor controllers and other CAN open devices. It uses the industry standard 2 wire CAN-bus technology. 1310 integrates direct digital and analog signals with application-specific software.

APPLICATION

The Curtis Model 1310 Vehicle System Controller provides a single-point "Master" control of multiple vehicle functions. Model 1310 can be applied to electric vehicles, non-electric vehicles or stationary control systems.



MODEL 1310

FEATURES continued

Standard Safety and Protection Capabilities

- Built-in coil flyback diodes.
- Two user-programmable LED's available for error codes or other user-specified purposes.
- Software and hardware watchdog circuits ensure proper software operation.
- Diagnostic and test information can be output through the serial port , CAN-bus port and/or LED's.
- Positive battery connections for all input and driver outputs.

Meets or complies with relevant US and International Regulations

The Curtis Model 1310 Vehicle System Controller is designed to meet:

EN50081-1: 1992 for EMI Emissions

EN 50082-2:1995 for EMC Immunity

EN 1175-1:1998

VDE 0117:1991

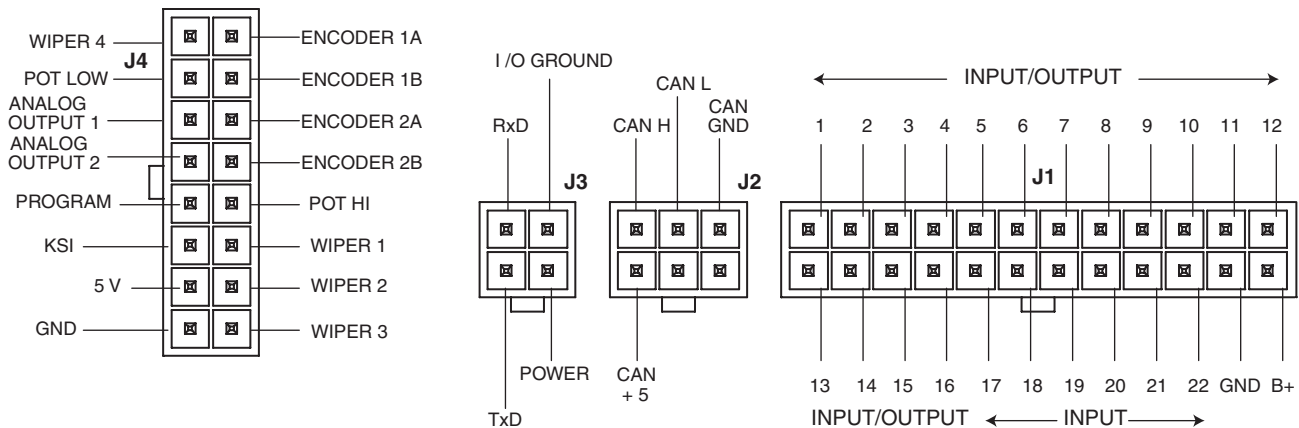
IP 42 Rated

Enclosure Rated for Flammability Class UL 94-V0.

MODEL CHART

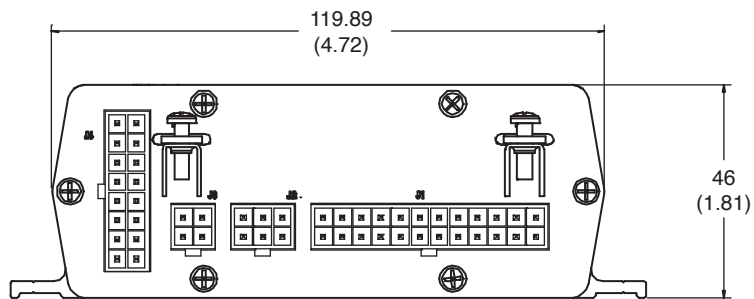
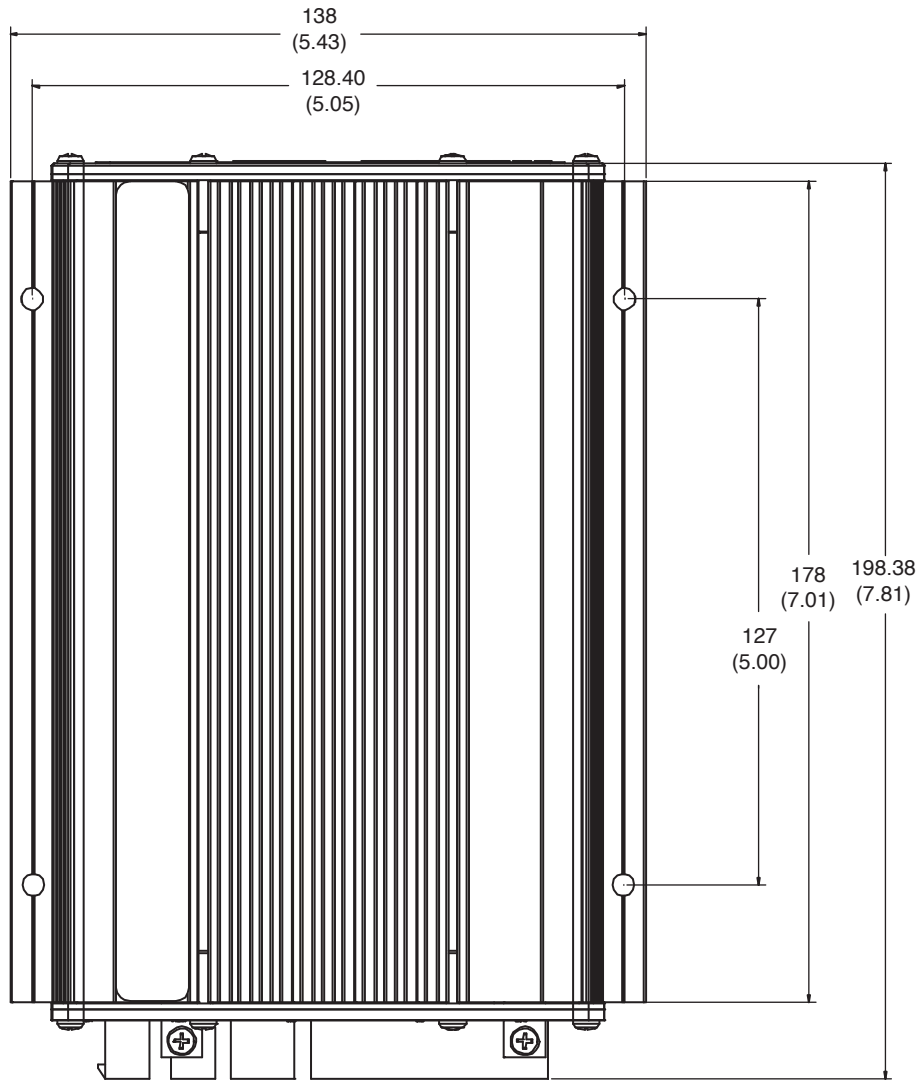
Model	Voltage Rating (V)	Input Interfaces	Driver Output Interfaces	Proportional Valve Outputs	Analog Interfaces	Potentiometer Inputs	Encoder Inputs
1310-5210	24-48	14	8	0	2	4	2
1310-5310	24-48	6	14	2	2	4	2

CONNECTOR DIAGRAM



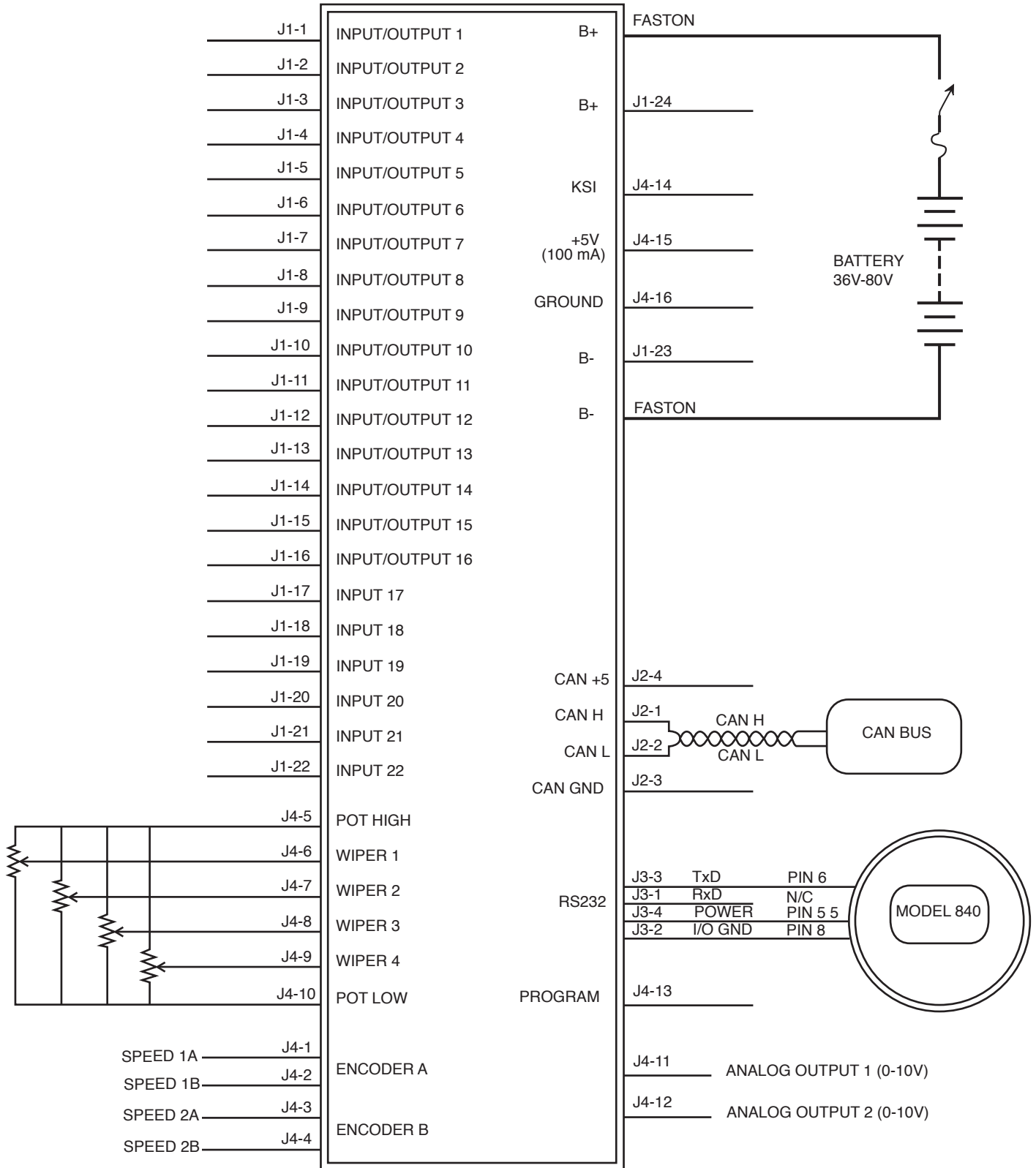
MODEL 1310

DIMENSIONS mm (in)



MODEL 1310

WIRING DIAGRAM



WARRANTY Two year limited warranty from time of delivery.

