

MULTI VOLTAGE LED WORKLAMPS

12-80V LED WORKLAMP



CURTIS



FEATURES

- 950 Lumen light intensity.
- PMMA Lens.
- 5 x 3W LED 15W Flood Beam.
- High quality aluminium housing.
- Ultra long life span: 30,000 operating hours (est).

SPECIFICATIONS

- 110mm x 135mm x 41mm (l, w, h).
- Operating temperature: -45°C to +85°C.
- IP67 rated.
- 500g, single bolt fixing.

DESCRIPTION

This low power draw LED worklamp outputs an amazing 950 lumens, providing incredible brightness. The durability and long, maintenance-free life of this lamp make it an affordable and reliable addition to your vehicle.

APPLICATION

This worklamp is designed for use in the materials handling market and will work with fully charged lead acid traction batteries.

UK PART NUMBER

18438453: 12-80V

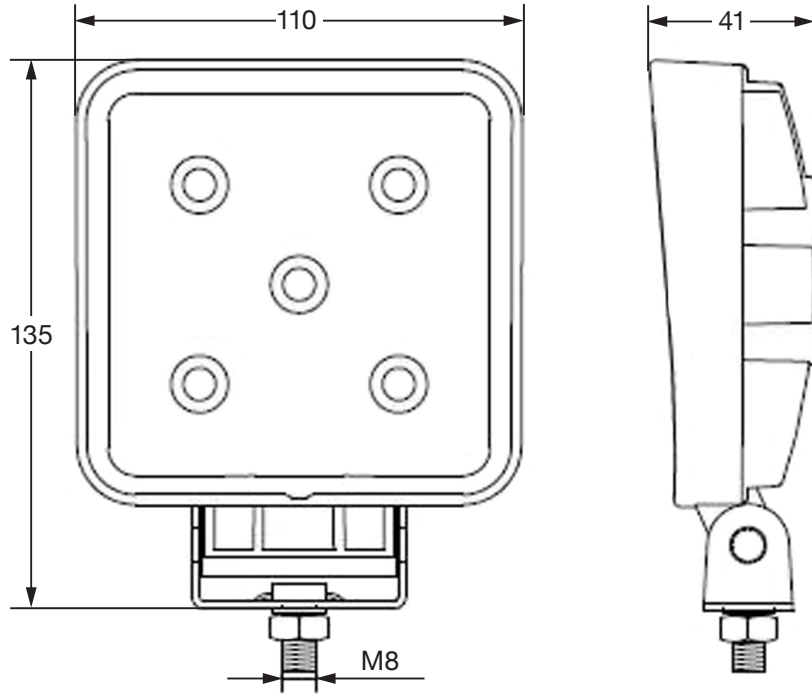
WARRANTY

Two year limited warranty from time of delivery.

CURTIS INSTRUMENTS, (UK) LTD.
5 UPPER PRIORY STREET
NORTHAMPTON NN1 2PT, ENGLAND
TEL 44 (0) 1604-629755
FAX 44 (0) 1604-629876

12-80V LED WORKLAMP

DIMENSIONS mm



FLOOD BEAM

