

## TILLER HEAD

### MODELS TEMO 200 & 600



CURTIS



#### DESCRIPTION

The ergonomically designed range of Tiller Heads from Curtis are packaged in an attractive, yet rugged, housing that offers a practical and reliable method of controlling electric vehicles.

The TEMO 200 has space for two operating switches, covering the basic functions in a tillerhead controlled vehicle (for example, raise and lower). A range of switches are available including different buttons, rocker switches, latched rocker switches and an analogue switch. From these options you can customise design to fit your requirements.

The symbols are laser etched and consequently resistant against environmental influences.

#### APPLICATION

This tiller-head can be used on many electric vehicle applications including pedestrian fork lift trucks, cleaning machines, tow tractors and walkies. Switch ratings of IP67 make them ideally suited for both indoor and outdoor vehicles.

#### TEMO 200 FEATURES

- Strong plastic housing.
- Base of the housing comprises one complete part.
- Ergonomically designed handles.
- Easy to use – the buttons are easy to reach and activate with minimal effort.
- Float-mounted belly button switch.
- Two positions for snap fit switches.

#### TEMO 600 FEATURES

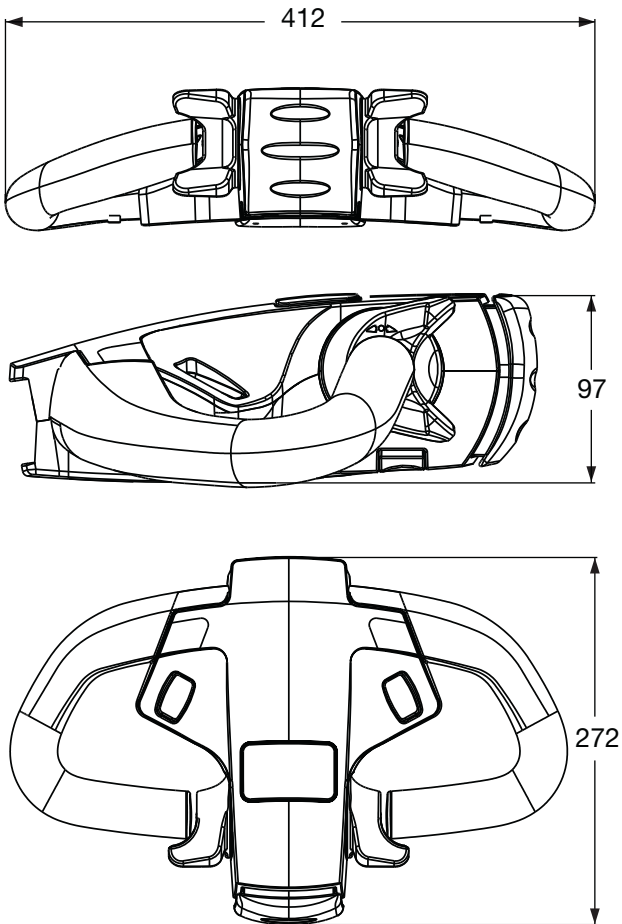
- Wide range of applications.
- Rigid tube handles.
- Ergonomic handling.
- Float mounted belly button switch.
- Multi-function cover.
- Connection for the tiller arm (at customer request).
- Buttons and switches freely configurable (in function, quantity and colour).
- Awarded with the IF Design Award 2005, Reddot Design Award 2005 and Materialica DESIGN AWARD 2005.
- Manufactured in the WIT-procedure (plastic moulding with water injection and gas).
- Six positions for snap fit switches.
- Switches and grips are available in different colours as standard. Bespoke colours available on request.
- Laser etching of operation elements for resistance to environmental influence.

**CURTIS INSTRUMENTS, (UK) LTD.**  
5 UPPER PRIORY STREET  
NORTHAMPTON NN1 2PT, ENGLAND  
TEL 44 (0) 1604-629755  
FAX 44 (0) 1604-629876

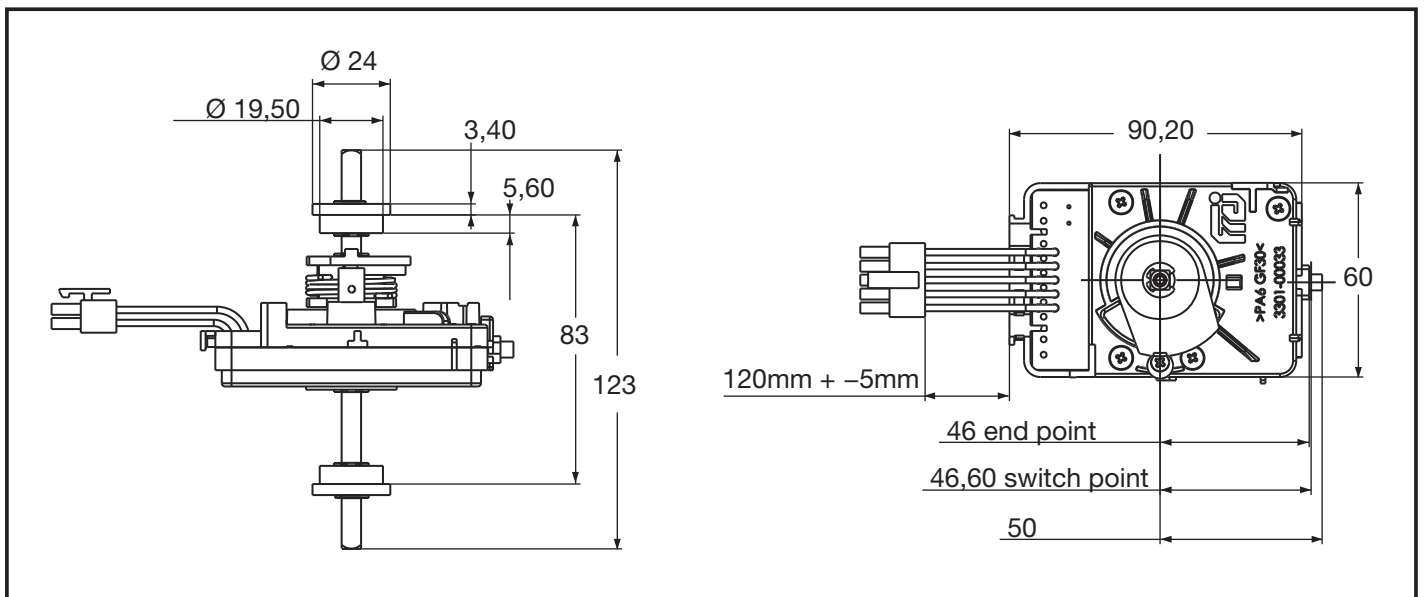
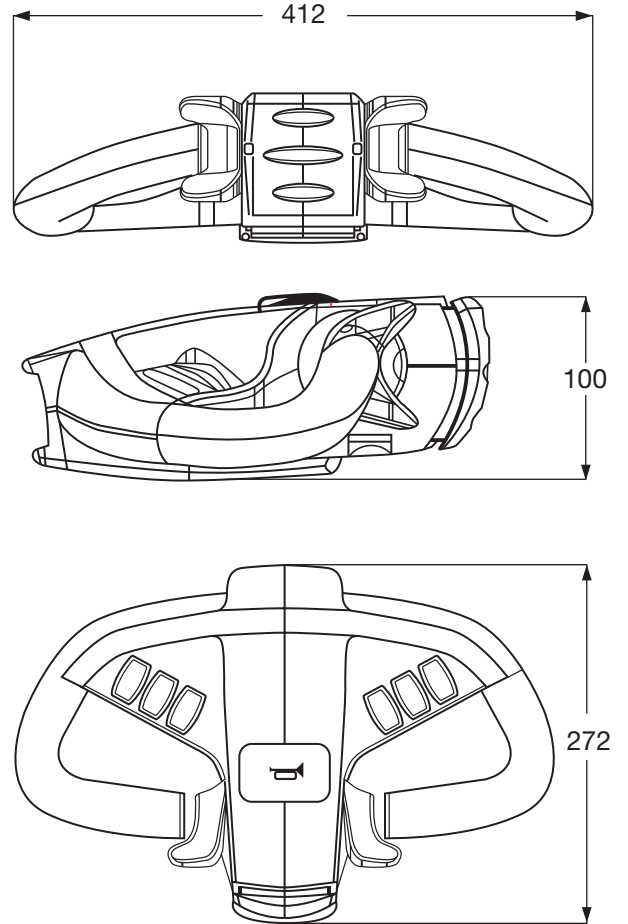
# MODELS TEMO 200 & 600

## DIMENSIONS mm

### TEMO 200 Dimensions:



### TEMO 600 Dimensions:



## SPECIFICATIONS

Button/rocker switch/switches:	Max. breaking capacity 48VDC / 1A Min. breaking capacity 24VDC / 10mA
Analogue switches:	Max. breaking capacity 48VDC / 4mA switching current Wiper current < 0.1mA
Signal horn:	Micro-switch NO with Connector 2-pin
Optimum switch current:	5mA / 5V – 1.5A / 24V
Throttle Unit:	
Supply	24V – 48V nominal 14V – 69V maximum
Output	0 – 5V +24V Forward +24V Reverse

## OPERATING CONDITIONS

Operating temperature:: –40°C to +85°C

Vibration test: According to IEC 68-2-6

Protection class (DIN 40050) Tiller head IP 40 Operation elements and traction switch minimum IP 54

## ASSEMBLY INSTRUCTIONS

The upper part and lower part are joined through four socket screws. If you unscrew these four bolts, you can easily separate the two parts. The mounting plate is screwed with three M8-bolts at the tiller head.

## OPTIONS

The tube and the mounting plate are not included in standard supply.

Possibility to integrate a key switch, button, switch, display, keyboard or other applications in the underside of the multi-functional cover.

**WARRANTY** Two Year Limited Warranty from time of delivery.